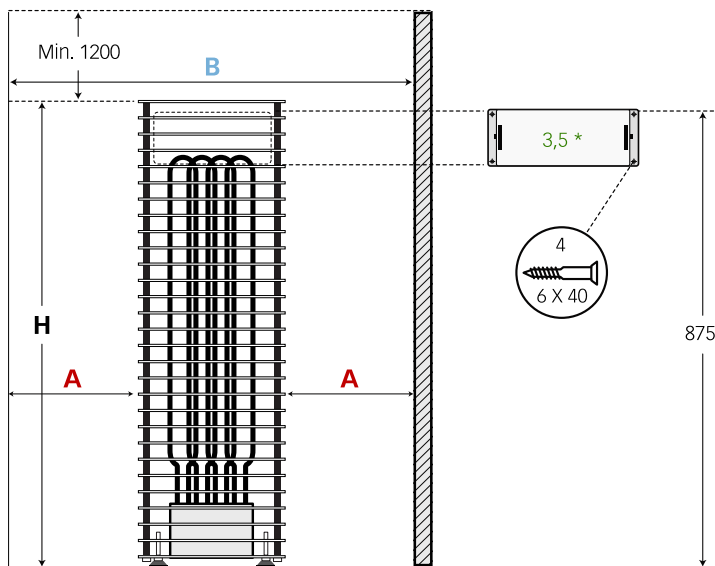


CLIFF	3,5 *	6	9	10
Output (kw)	3,5	6	9	10,5
Sauna room	3,5 - 6	6 - 10	9 -15	10 - 17
Weight of stones (kg)	60	70	70	70
Height (mm)	975	975	975	975
Width/Depth (mm)	270 / 160	270	270	270
Weight (kg)	10	15	16	16
POWER				
Supply voltage, 3-phase	-	400 V 3N	400 V 3N	400 V 3N
Supply cable (N x mm ²)	-	5 x 1,5	5 x 2,5	5 x 2,5
Supply voltage, 1-phase	230 V 1N	230 V 1N	230 V 1N	230 V 1N
Supply cable (N x mm ²)	3 x 1,5	5 x 1,5	5 x 2,5	5 x 2,5
SAFETY CLEARANCE				
A (mm)	60	60	120	120
B (mm)	420	390	610	610

* This heater is fastened to the wall with a hanger

- Small footprint - big effect
- A large number of stones provides long-lasting steam and an ideal sauna experience.
- Built in air duct in the centre of the heater. This speeds up the heating process by 25% and prolongs the service-life of the elements.



WWW.HUUM.EU

DISTRIBUTOR:

DELIVERY TIME / TERMS AND CONDITIONS (TO BE AGREED WHEN PLACING AN ORDER)

**HEATER WITH
RESPECT FOR
SPACE.**
SLIM DESIGN,
LARGE VOLUME OF
STONES AND
EFFECTIVE AIR
FLOW DELIVERS THE
BEST SAUNA
EXPERIENCE.



NEW HEATER

CLIFF



CLIFF 3,5 – ART. 4744103011735
CLIFF 6 – ART. 4744103011766
CLIFF 9 – ART. 4744103011698
CLIFF 10,5 – ART. 4744103011704

New product

WWW.HUUM.EU INFO@HUUM.EU

© ALL RIGHTS RESERVED - HUUM 2019

