

Android
+
iOS app



GOLDEN EGG 2016:
APP UX DESIGN SILVER EGG



UKU CONTROL UNIT

Local control

Stylish UKU control unit makes sauna heating easy and comfortable. UKU is equipped with timer, door sensor, overheating protection and child safety lock to ensure a safe sauna experience.

Remote control with UKU+APP

UKU+APP adds an extra comfy remote control option through a mobile app. With UKU+APP it takes just a couple of taps on your mobile screen to have the sauna heated and ready when you get home.



HIVE WOOD TECHNICAL DATA

HIVE WOOD STOVE

Output (kW)	13kW	17kW
Sauna room min. (m ³)	6	8
Sauna room max. (m ³)	13	16
Stone capacity (kg)	90	130
Height (mm)	750	750
Diameter	450	555
Depth (mm)	460	590/740 ^{LS}
Weight (kg)	50	68/79 ^{LS}
Firewood max. (mm)	300	400
Flue Ø (mm)	115	115
C (mm)	240	300
D (mm)	425	460
E (mm)	5	35/185 ^{LS}
F (mm)	300	400/400 ^{LS}

SAFETY DISTANCE *

A (mm)	250	500
B (mm)	900	1000

^{LS} - Through the wall

* - Combustible materials

CONNECTIVITY OPTIONS



GSM

The GSM version connects to the mobile through an internal SIM card, which requires mobile reception.



Wi-Fi

The Wi-Fi version requires a connection to a Wi-Fi network in order to communicate with the mobile app.



www.huum.eu



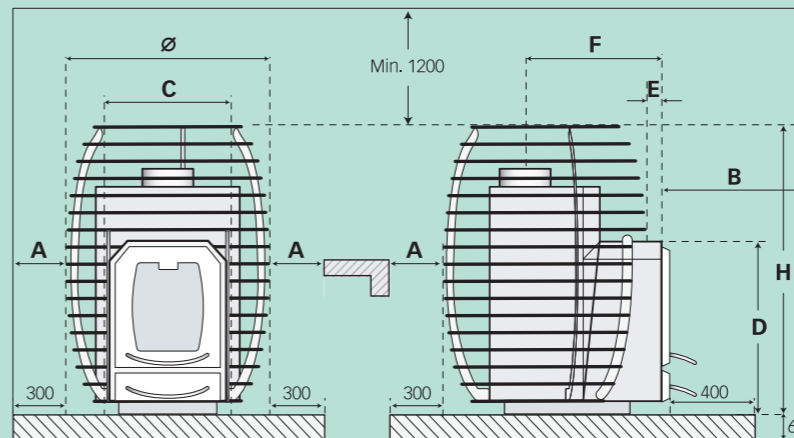
#huumsauna



info@huum.eu

HIVE WOOD SAUNA STOVE

HIVE Wood has taken the ancient wisdom of building sauna stoves to an even higher level. The most sensitive component of the wood-burning stove, the flamer tamer, is made of 5mm thick stainless steel and is therefore exceptionally resistant. HIVE Wood is available also with a firebox extension, which allows you to heat the sauna from another room.



HUUM

of Sauna



reddot award 2015
honourable mention





DROP TECHNICAL DATA

DROP HEATER	4.5	6	9
Output (kW)	4,5	6	9
Sauna room m ³	3-7	5-10	8-15
Stone capacity (kg)	55	55	55
Height (mm)	590	590	590
Width (mm)	390	390	390
Depth (mm)	335	335	335
Weight (kg)	11	11	12

POWER			
Supply voltage 3-phase	400 V 1N	400 V 1N	400 V 1N
Cable	5 x 2,5	5 x 2,5	5 x 2,5
Supply voltage 1-phase	230 V 1N	230 V 1N	230 V 1N
Cable	5 x 2,5	5 x 2,5	5 x 2,5

SAFETY DISTANCE *			
A (mm)	100	120	150
B (mm)	590	630	690
C (mm)	450	470	500
D (mm)	170	190	220

* - Combustible materials



HIVE TECHNICAL DATA

HIVE HEATER	6	9	12	15	18
Output (kW)	6	9	12	15	18
Sauna room (m ³)	6-10	9-15	12-25	15-30	18-35
Stone capacity (kg)	150	150	250	250	250
Height (mm)	750	750	750	750	750
Diameter (mm)	450	450	555	555	555
Weight (kg)	12,9	14,3	21,1	22	24

POWER					
Supply voltage 3-phase	400 V 1N	400 V 1N	400 V 1N	400 V 1N	400 V 1N
Cable (N x mm ²)	5 x 2,5	5 x 2,5	5 x 4	5 x 4	5 x 6
Supply voltage 1-phase	230 V 1N	230 V 1N	-	-	-
Cable (N x mm ²)	5 x 2,5	5 x 2,5	-	-	-

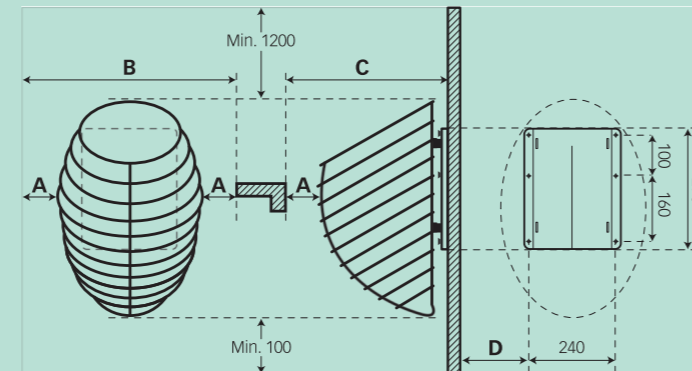
SAFETY DISTANCE *					
A (mm)	60	90	120	150	180
B (mm)	675	720	790	850	910

* - Combustible materials



DROP HEATER

DROP is the first heater in HUUM's portfolio, which is inspired by the purest element of nature- a water drop. DROP's rounded design softens and livens up the angular interior of a classic sauna. This compact wall-mounted heater can hold up to 55 kg of stones, exceeding most wood-burning stoves and guaranteeing a long-lasting steam.



HIVE HEATER

HIVE electric heater is an elegant solution for bigger saunas, for example sport clubs and spas.

This floor-mounted heater holds up to 250 kg of stones, which ensure long lasting hot steam even for larger groups, without compromising on design. The slimmer HIVE Mini holds up to 150 kg of stones and is suitable also for smaller saunas.

